

Tank Valves - Low Lead

Schrader-Pacific's line of low lead tank valves are suitable for use with pressurized drinking water systems.



Made Green
in America

Legislation is now in place to limit the lead content in potable water systems across the nation. Schrader-Pacific's low lead tank valves meet all state and federal mandates.

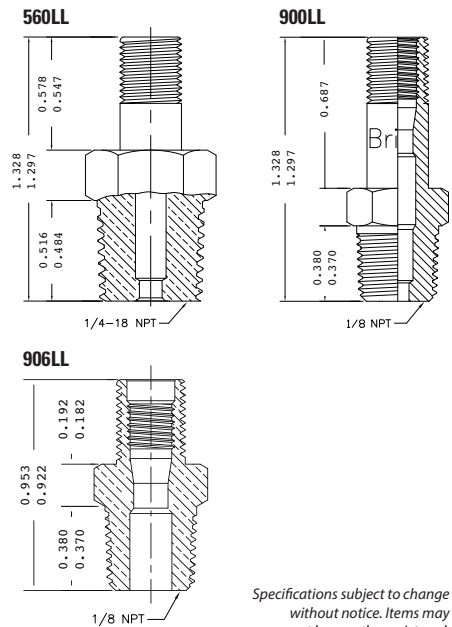
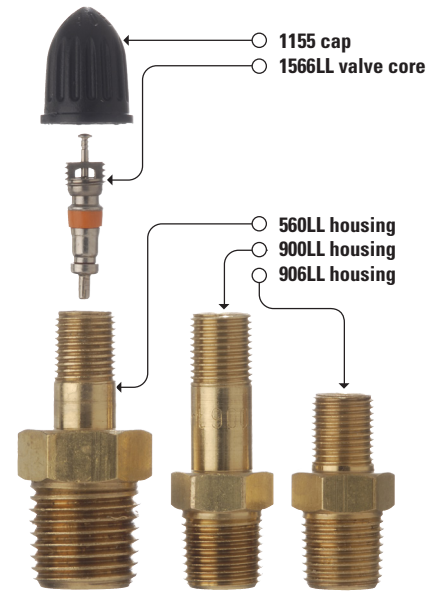


Applications

- Beverage dispensers
- Drinking water fountains
- Pressurized water piping
- Fire suppression systems
- Pool plumbing

Features

- Meets no-lead Law requirements
- Stronger alloy (rivals stainless steel)
- Improved corrosion resistance



Due to the variety of operating conditions or applications, the customer is responsible to perform their own testing to insure performance, safety and warning requirements for the intended application.

WARNING: These products can expose you to chemicals, including lead which is known to the State of California to cause cancer or birth defects or other reproductive harm.



205 Frazier Road • Altavista, Virginia 24517 • 1.800.345.0578 • Schrader-Pacific.com

Tank Valves - Low Lead

PART NUMBER	VALVE CORE	CAP	APPLICATION
904 Series Tank Valves			
0270247001	1566	1155	Low Lead
900 Series Tank Valves			
0270245001	1566	1155	Low Lead
560 Series Tank Valves			
0270246001	1566	1155	Low Lead

Schrader-Pacific Tank Valves are manufactured in Altavista, Virginia, USA to the most exacting standards using the highest grade materials. Trust Schrader-Pacific made in USA quality to function better and last longer than the foreign made competition. Schrader-Pacific low lead Tank Valves are used in a variety of products from soda fountains to well pumps, drinking water fountains to pressurized water piping.

Due to the variety of operating conditions or applications, the customer is responsible to perform their own testing to insure performance, safety and warning requirements for the intended application.

WARNING: *These products can expose you to chemicals, including lead which is known to the State of California to cause cancer or birth defects or other reproductive harm.*

