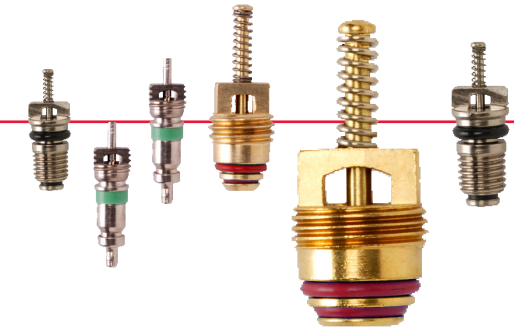


Charge and Service Valves

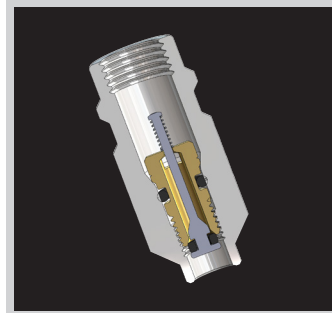
For HFO-1234-YF

- Meets SAE J639 specifications
- Available for High-side and Low-side
- New elastomers designed specifically for HFO-1234-YF and its new oils
- Engineered for minimum permeation loss
- High-side valves engineered for maximum flow and fill rates
- Validated against the most severe service conditions
- Target 15 year life
- Meets OE performance specifications
- Production and prototypes available

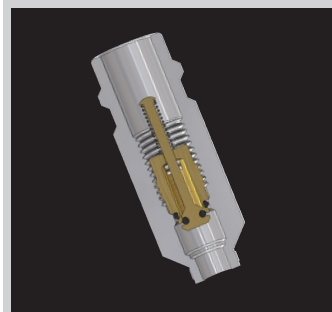
Due to the variety of operating conditions or applications, the customer is responsible to perform their own testing to insure performance, safety and warning requirements for the intended application.



123445 Standard Assembly



G 123485 001 JRA LS Assembly

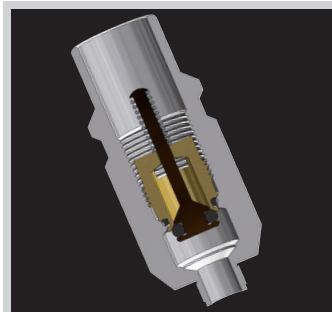


123455 M8 LS Assembly

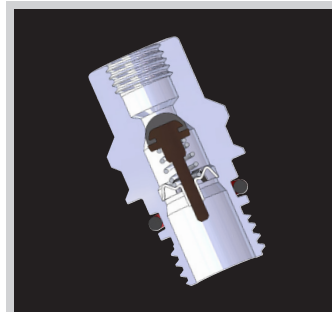


123425 LS Primary Seal Assembly

EPDM
HNBR



123465 M10 HS Assembly



123415 HS Primary Seal Assembly

EPDM
HNBR

